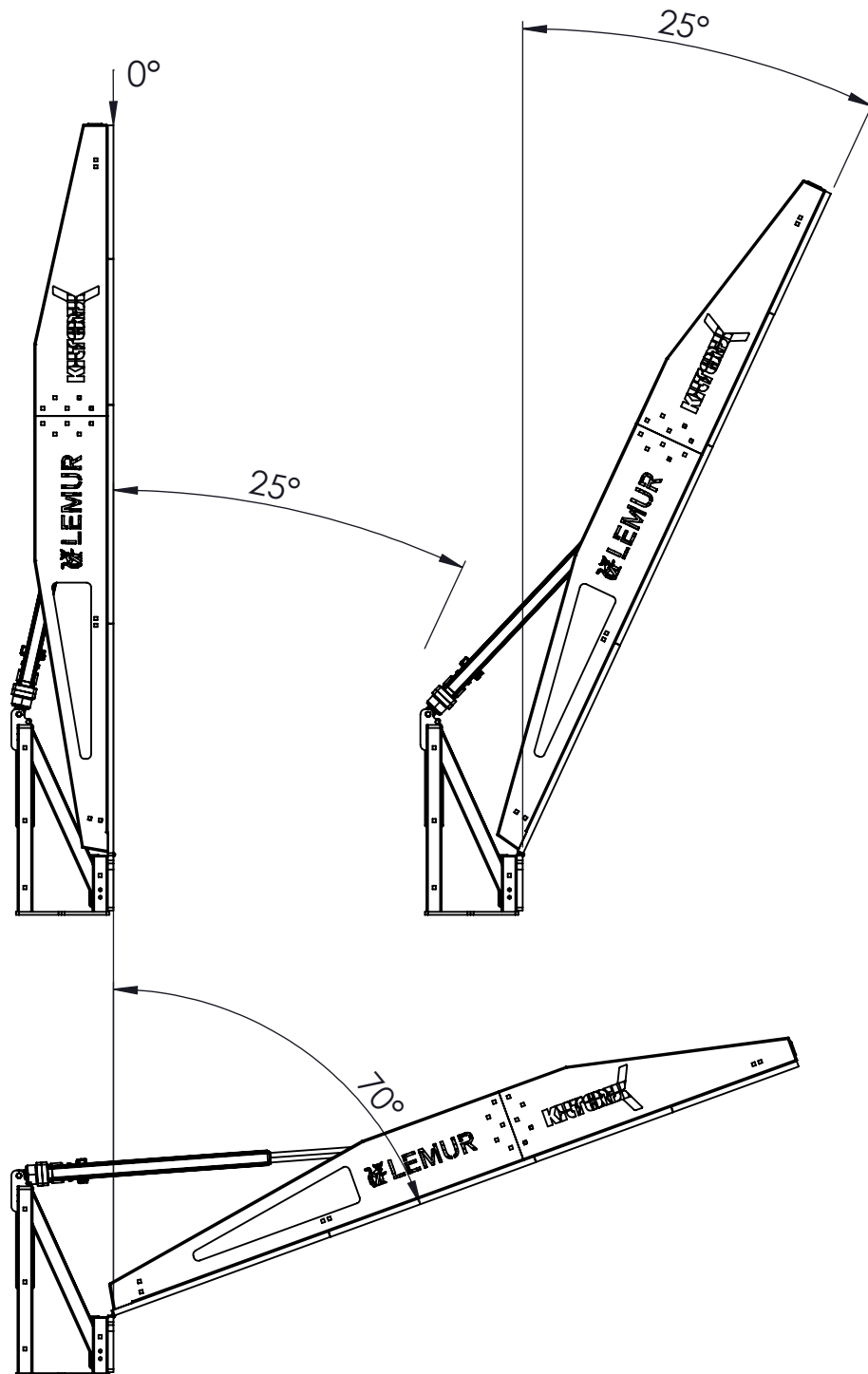


LEMUR

10x10 - 10 KICKBOARD

SIDE VIEWS

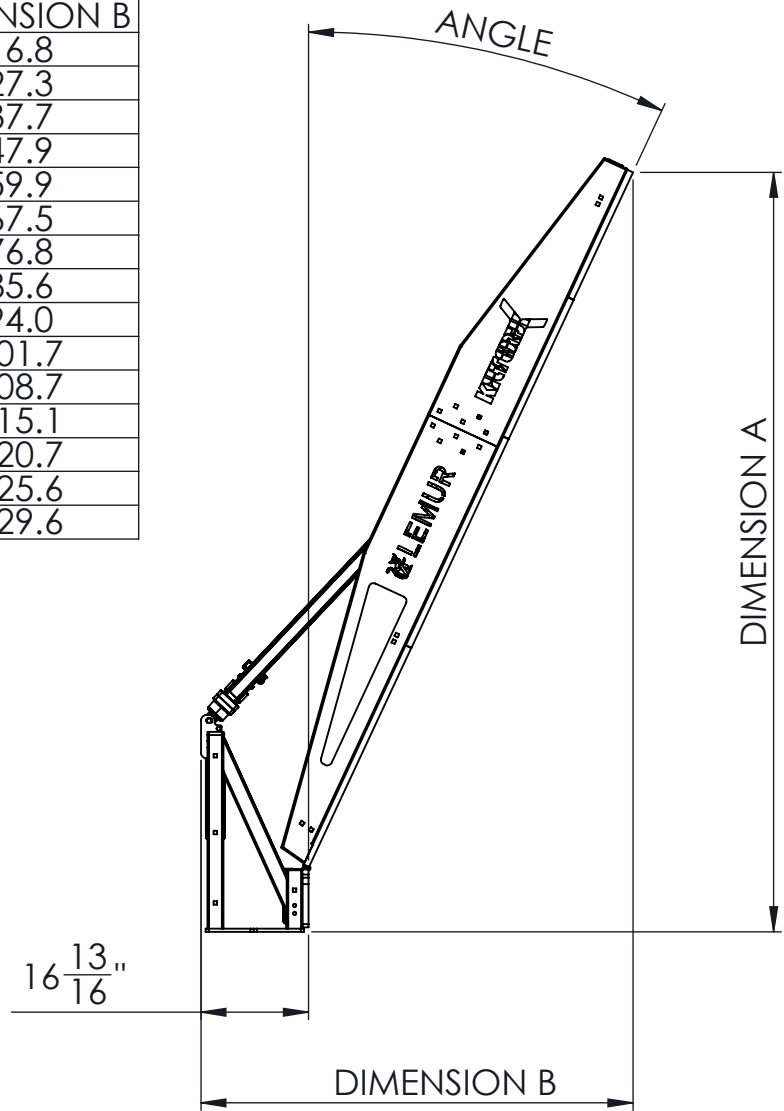


LEMUR

10x10 - 10 KICKBOARD

DIMENSION TABLE

ANGLE	DIMENSION A	DIMENSION B
0	130.0	16.8
5	129.5	27.3
10	128.2	37.7
15	125.9	47.9
20	122.8	59.9
25	118.8	67.5
30	113.9	76.8
35	108.3	85.6
40	101.9	94.0
45	94.9	101.7
50	87.1	108.7
55	78.8	115.1
60	70.0	120.7
65	60.7	125.6
70	51.0	129.6



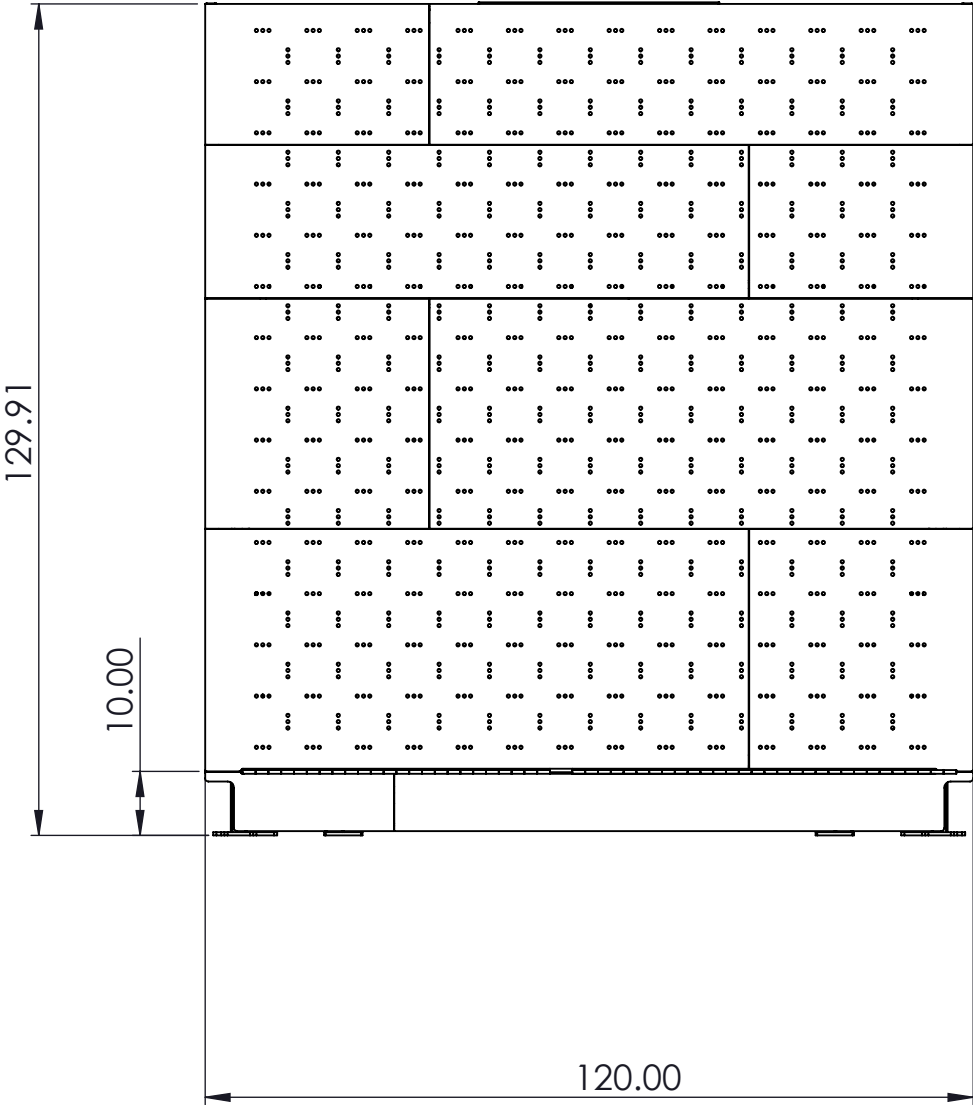
ALL DIMENSIONS IN INCHES [mm]



LEMUR

10x10 - 10 KICKBOARD

FRONT VIEW

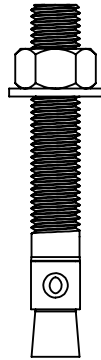


LEMUR

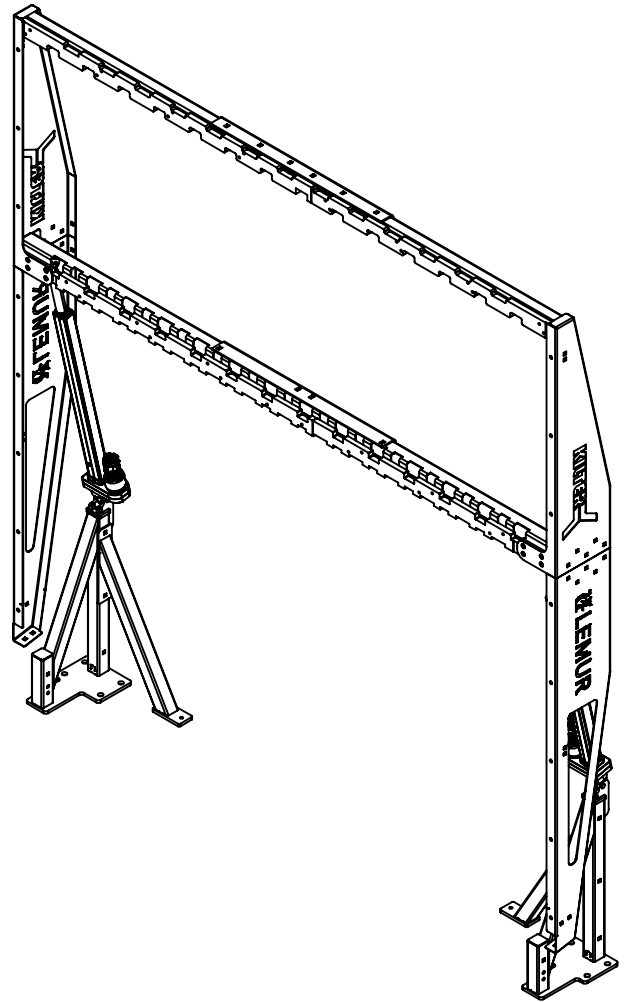
10x10 - 10 KICKBOARD

FLOOR MOUNTING DIAGRAM

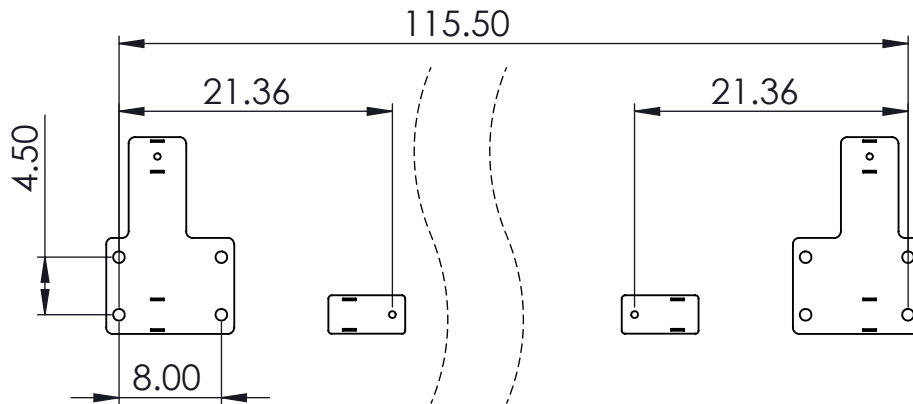
ISOMETRIC VIEW (HIDDEN KICKBOARD AND BRACES FOR BETTER VISUALISATION)



3/4" Ø, 5 1/2 Length
Steel Concrete Expansion Anchor



TOP VIEW
(Anchor brackets only)



10x10 - 10 KICKBOARD

SPECIFICATION SHEET

SPECIFICATION	10X10 10IN KICKBOARD
DEPTH BEHIND KICKBOARD (in/mm)	16.75/425
WIDTH (in/mm)	120
KICKBOARD HEIGHT (MEASURED FROM FLOOR)	10
HEIGHT OF THE MOVING SECTION (in/mm)	120
NUMBER OF T-NUTS (KILTERBOARD LAYOUT)	N/A
NUMBER OF T-NUTS (HOME WALL LAYOUT)	392
WEIGHT (Lbs./Kg)	1000/450
OPERATING VOLTAGE (V)	120/240 AC
OPERATING AMP (A)	3
CLIMBING PANELS MATERIAL	BALTIC BIRCH
(MAX) HEIGHT (in/mm)	130
STRUCTURAL FRAME MATERIAL	PLAIN CARBON STEEL

Available Options

Custom Frame Color

Padding

Custom Panel Color

Custom T-Nut Layout

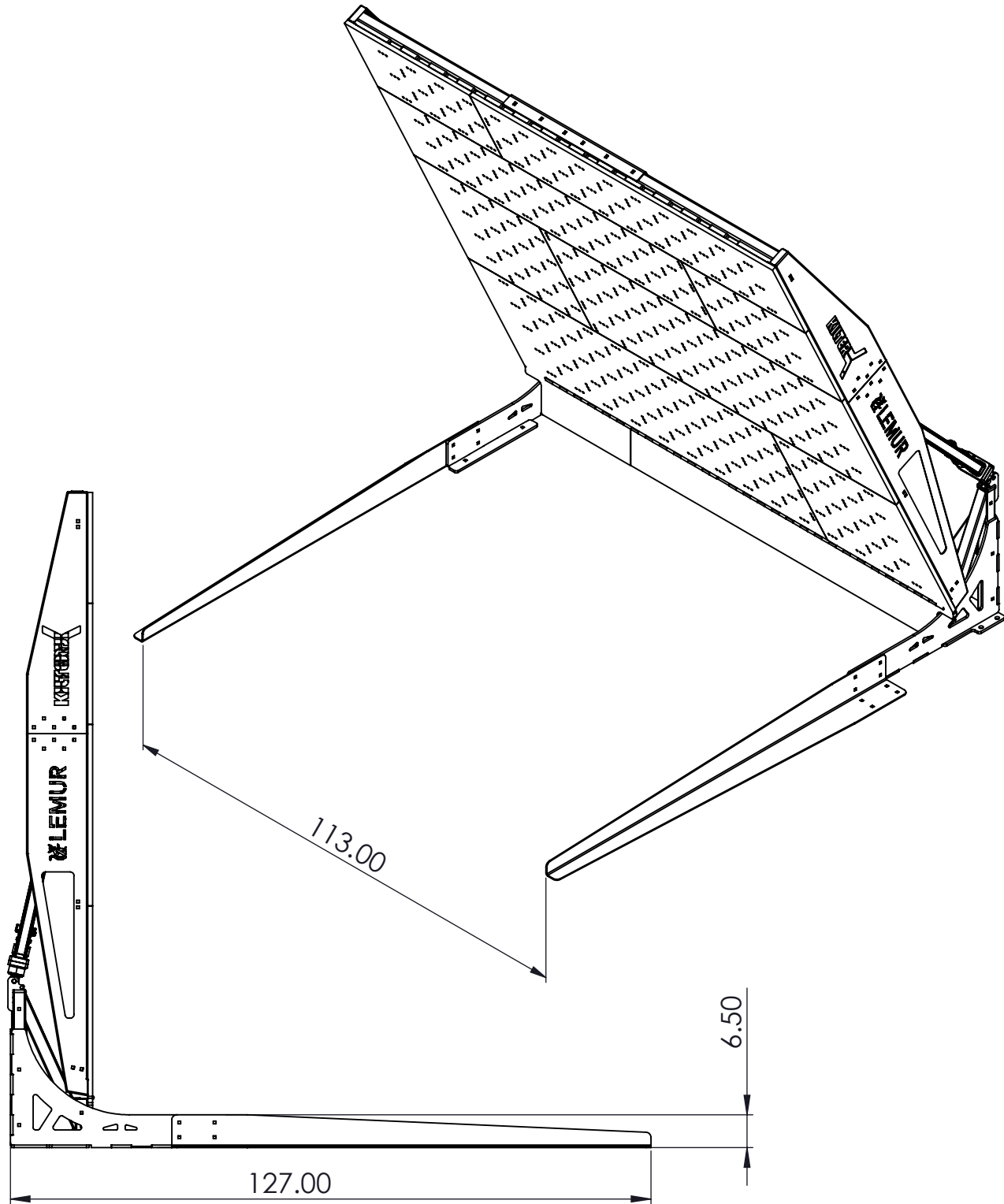
Custom Logo on Kickboard

Free Standing Leg Kit



10x10 - 10 KICKBOARD

LEG KIT OPTION AVAILABLE



LEMUR

10x10 - 10 KICKBOARD